



Wood

focus[®]

CREATE BEYOND CONVENTION

DOMOFOCUS OUTDOOR

Installation and User Manual



CONTENTS

INTRODUCTION	04
SPECIFICATIONS	05
■ DETAILED PLAN.....	05
■ CHIMNEY REQUIREMENTS.....	06
■ SUPPORTING STRUCTURE RULES.....	06
■ CONNECTORS.....	06
■ FLOOR CLEARANCE REQUIREMENTS.....	07
■ WALL CLEARANCE REQUIREMENTS.....	08
■ MATERIALS, PARTS, AND TOOLS INCLUDED FOR INSTALLATION.....	09
INSTALLATION	10
■ ASSEMBLY OF THE ADJUSTABLE SUSPENSION PLATE.....	10
■ FIREPLACE INSTALLATION.....	11
USE	14
■ HANDLING FLAMMABLE PRODUCTS.....	14
■ GRATE.....	14
■ ASHES.....	14
■ FUEL.....	14
■ BEFORE YOUR FIRST FIRE.....	15
■ LIGHTING AND MAINTAINING YOUR FIRE.....	15
■ PROTECTIVE GLOVES.....	15
MAINTENANCE	16
■ ASH REMOVAL.....	16
■ CREOSOTE FORMATION.....	16
■ CHIMNEY SWEEPING.....	16
■ SURFACE CLEANING.....	17
■ SPARE PARTS.....	17
WARRANTY	17
APPENDIX	18
■ ADJUSTABLE SUSPENSION PLATE.....	18
■ ROTATION RESTRICTOR.....	20

INTRODUCTION

Please read this entire manual before proceeding with installation and use. Failure to follow the instructions in this manual may result in serious property damage and bodily injury, including fatal injury. Be sure to contact local authorities for additional information on regulations in your area. Failure to comply with this manual will automatically void the Focus warranty.

Consult with competent authorities (e.g., municipal building services, fire departments, fire prevention offices) before installation to determine if a permit is required.

All **WARNINGS** and **SAFETY RULES** will appear in highlighted boxes.

Keep this manual in an accessible location for future reference.



WARNING :

THIS FIREPLACE IS FOR OUTDOOR USE ONLY.

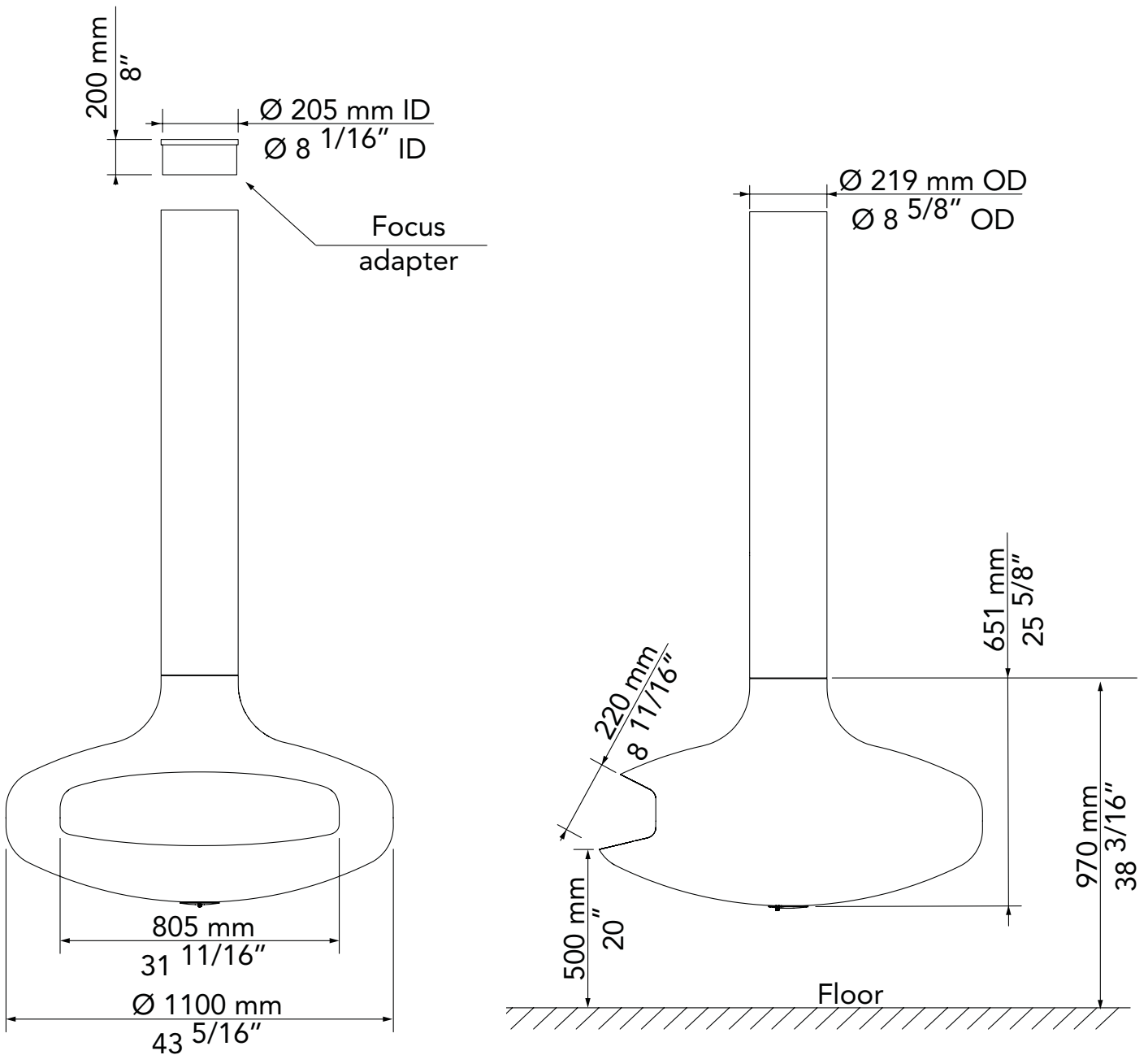
Thank you for choosing a Focus fireplace.

SPECIFICATIONS

⚠ WARNING :

DO NOT CONNECT OR USE IN CONJUNCTION WITH AIR DISTRIBUTION DUCTS UNLESS THEY ARE SPECIFICALLY APPROVED FOR THIS INSTALLATION.

■ DETAILED PLAN



Hearth weight : 89 kg (196 lbs)

Steel flue weight : 16 kg/meter (10,6 lbs/foot)

Suspension plate weight : 66 kg (145 lbs)

SPECIFICATIONS

■ CHIMNEY REQUIREMENTS

 **WARNING :**

DO NOT CONNECT THIS UNIT TO A CHIMNEY FLUE SERVING ANOTHER APPLIANCE.

The appliance must be connected to a flue that meets the specifications for HT-type chimneys, as described in the UL 103 / ULC S629 standard.

■ SUPPORTING STRUCTURE RULES

 **WARNING :**

THE SUSPENSION PLATE SUPPORT (ROOF STRUCTURE, SLAB, ETC.) MUST BE SIZED TO ACCOMMODATE BOTH THE STATIC AND DYNAMIC LOADS OF THE FIREPLACE. IT IS YOUR RESPONSIBILITY TO CONSULT AN ENGINEER OR ARCHITECT TO PERFORM THESE CALCULATIONS.

■ CONNECTORS

All connectors, including the Focus steel flue, the Focus universal adapter (200 mm / 8"), and the finishing collar provided by the chimney manufacturer with a single-wall connection, are categorized as non-insulated chimney components.

To avoid thermal traps, it is essential that the chimney connector does not pass through an attic, roof space, closet, or any concealed area that could act as a heat trap, including floors or ceilings.

In cases where passing through an attic, roof framing, floor, or ceiling is unavoidable, it must be done using an insulated chimney.

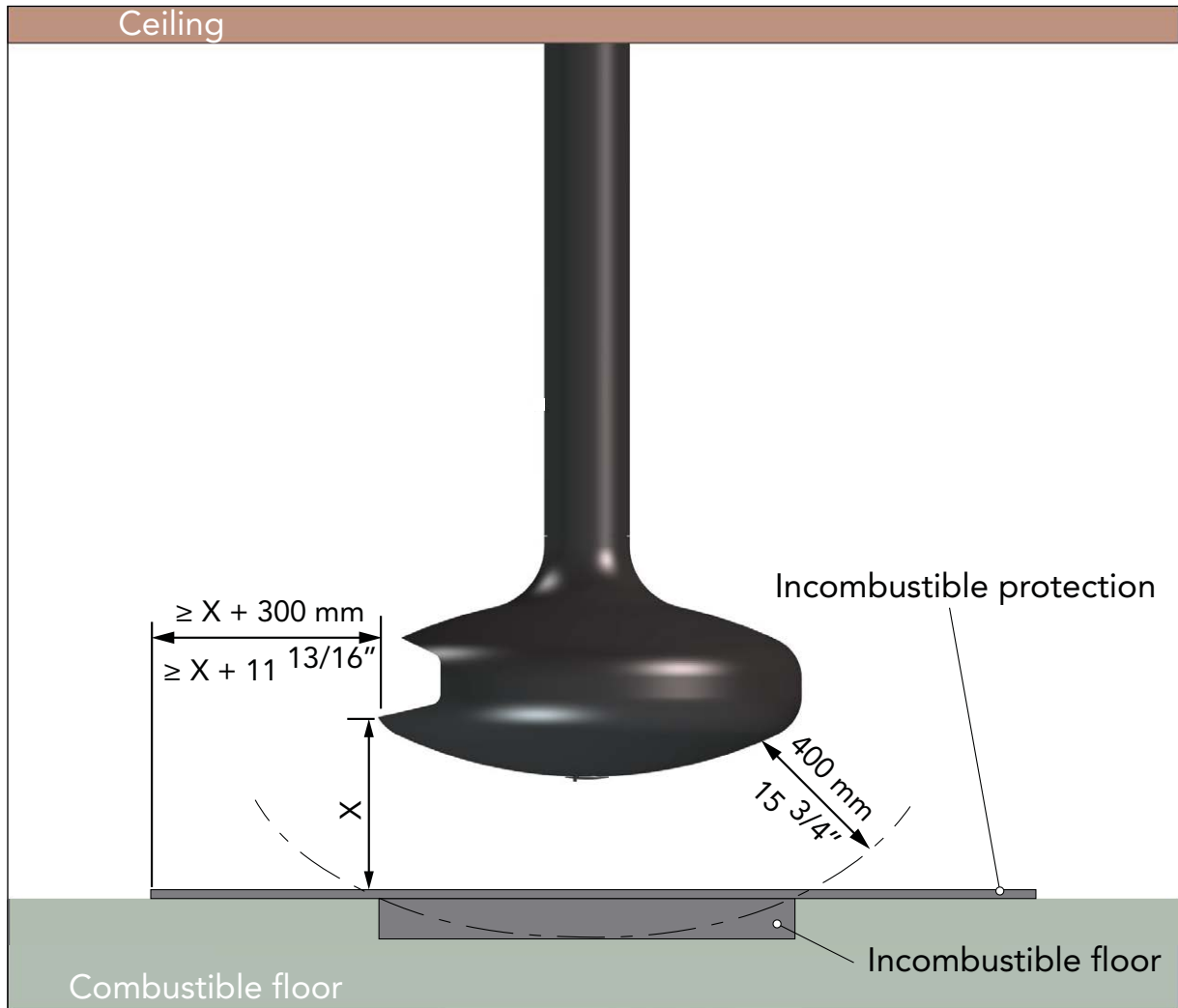
Furthermore, strict adherence to the "safety distances from combustible materials" outlined on page 7 is essential.

 **WARNING :**

PASSING THROUGH A WALL OR COMBUSTIBLE CONSTRUCTION IS NOT SUITABLE FOR THIS FIREPLACE.

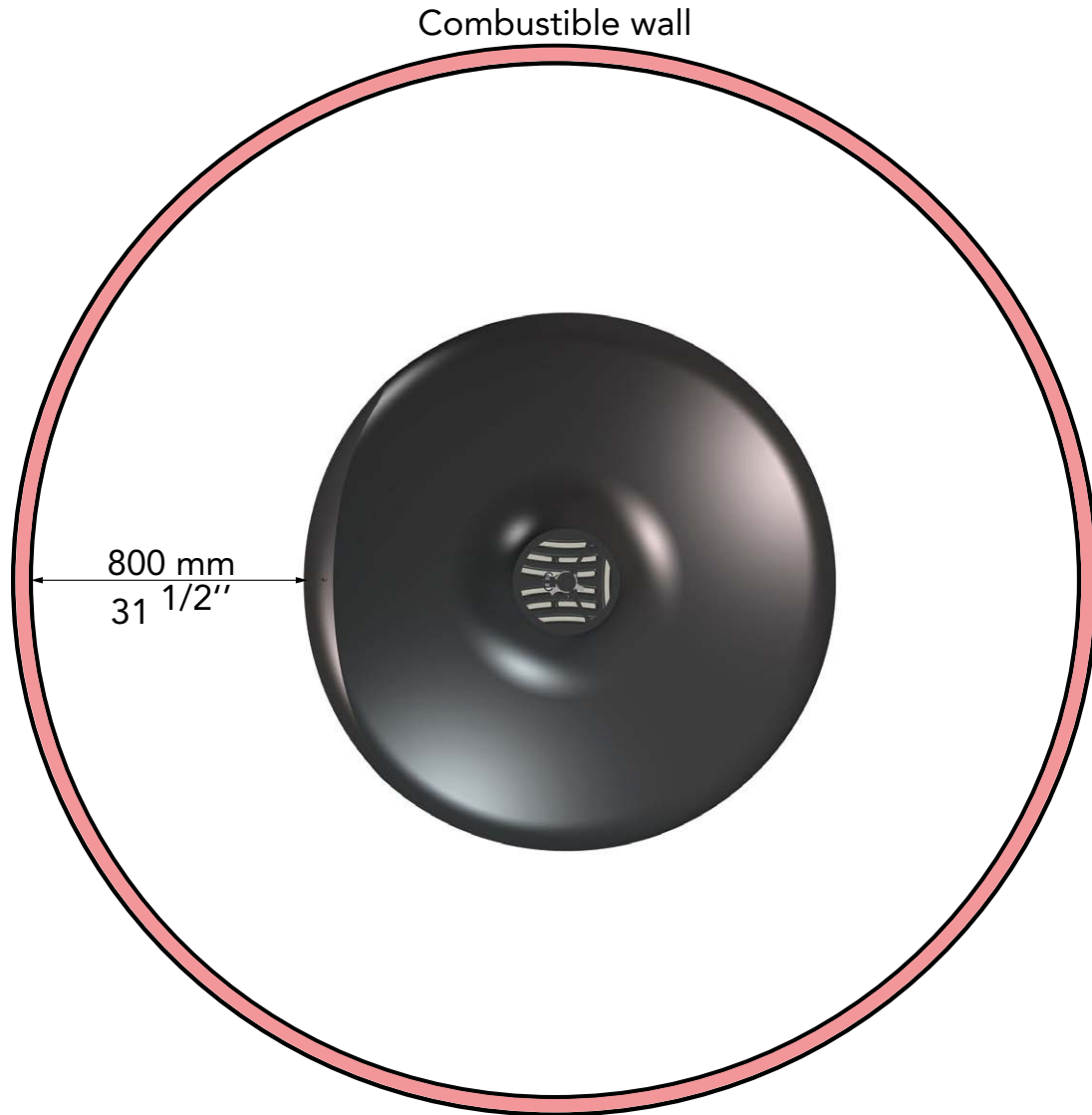
SPECIFICATIONS

■ FLOOR CLEARANCE REQUIREMENTS



SPECIFICATIONS

■ WALL CLEARANCE REQUIREMENTS



NOTE :

- The fire clearance to a PVC window: refer to the technical specifications of the window.
- The clearance from the Focus steel flue is 900 mm (31 1/2").

⚠ WARNING :

FIRE CLEARANCES MAY ONLY BE REDUCED WITH THE APPROVAL OF THE RELEVANT AUTHORITIES.

SPECIFICATIONS

■ MATERIALS, PARTS, AND TOOLS INCLUDED FOR INSTALLATION

Supplied with Delivery :

- The fireplace.
- Steel flue.
- The grate.
- Adjustable suspension plate.
- 4 insulating washers (heat-loss prevention).
- Rotation restrictor.
- Focus kit (thermal protective glove, assembly gloves, touch-up spray paint, ash trap and this manual)

Optional :

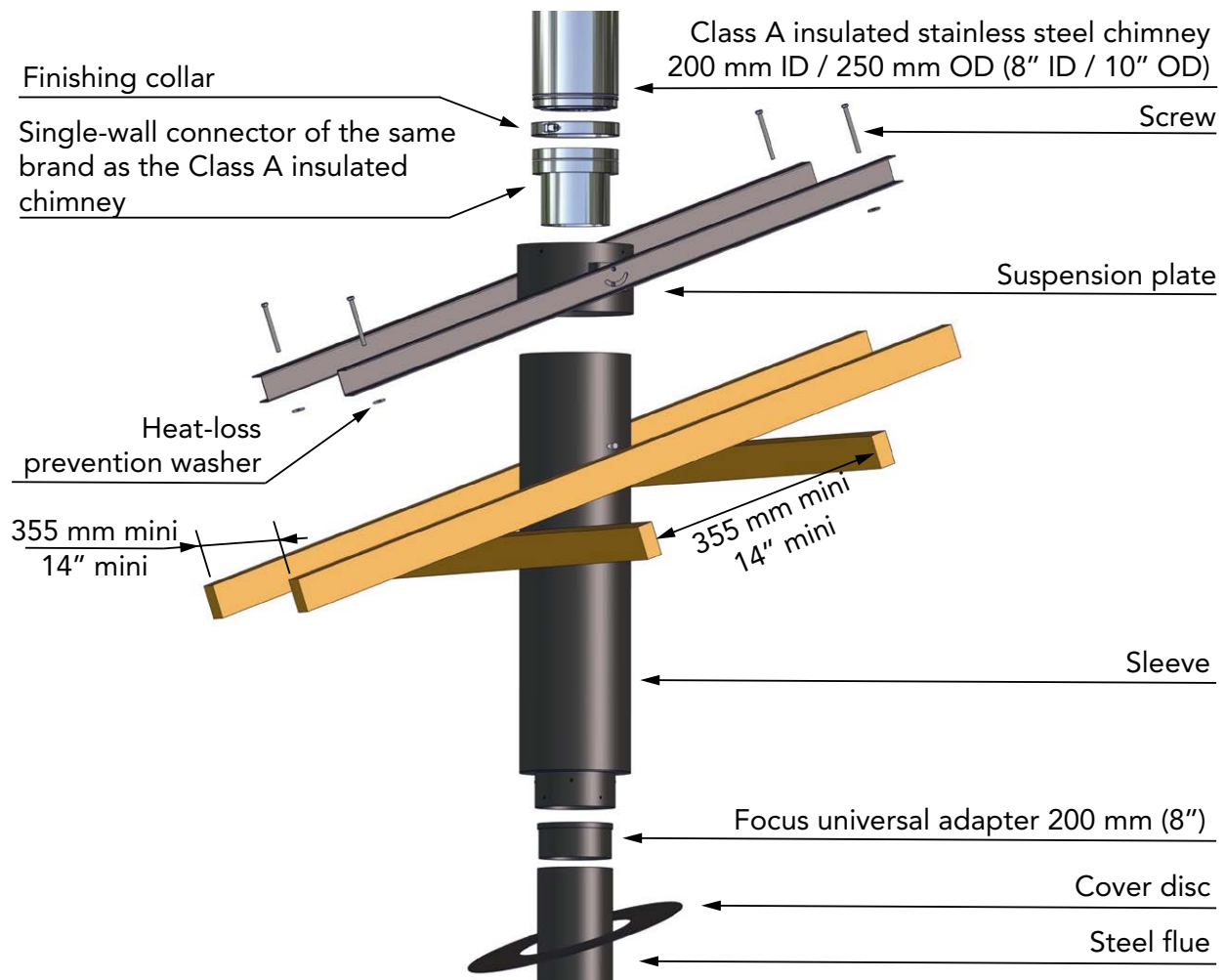
- Cover disc.
- Steel flue extension.

Minimum Tools Required for Installation :

- Drill.
- Allen keys (M4 and M2.5).
- Screwdriver set.
- Open-end wrench (M12).
- Scaffolding (depending on ceiling height).
- A minimum of two people is required.

INSTALLATION

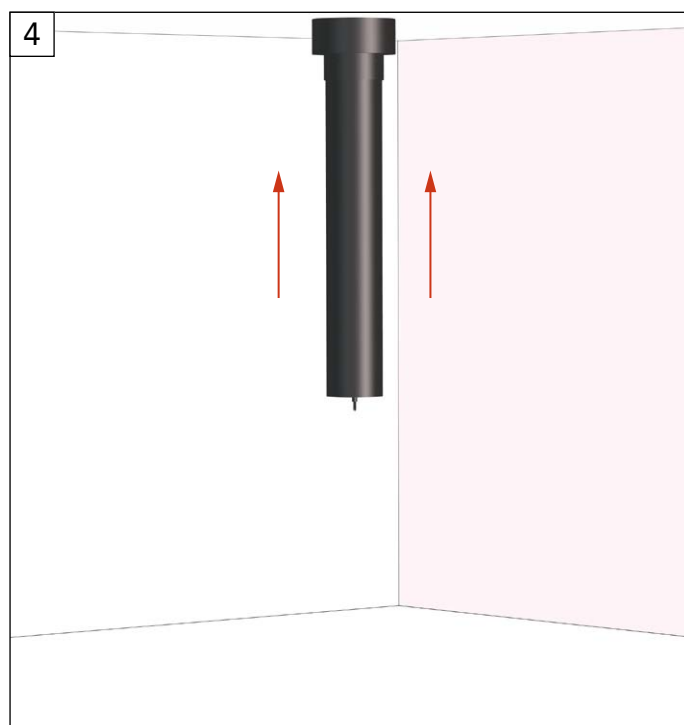
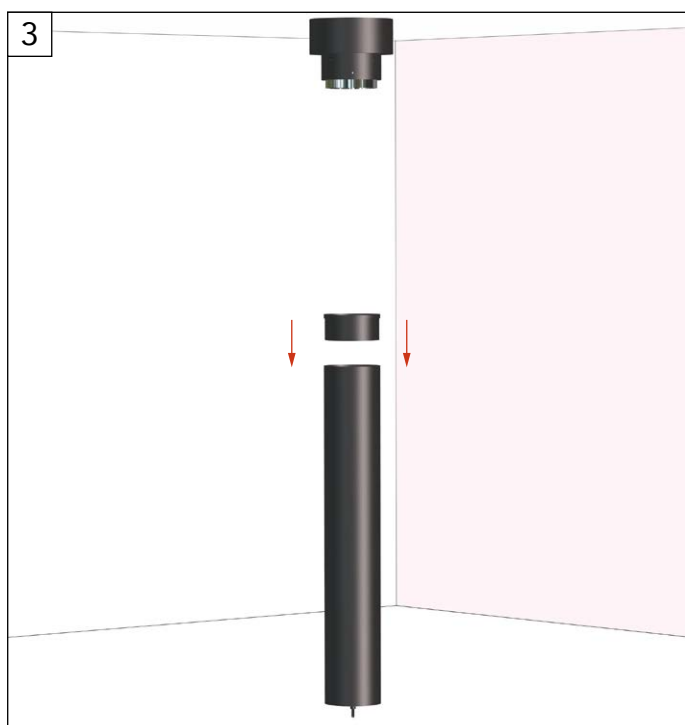
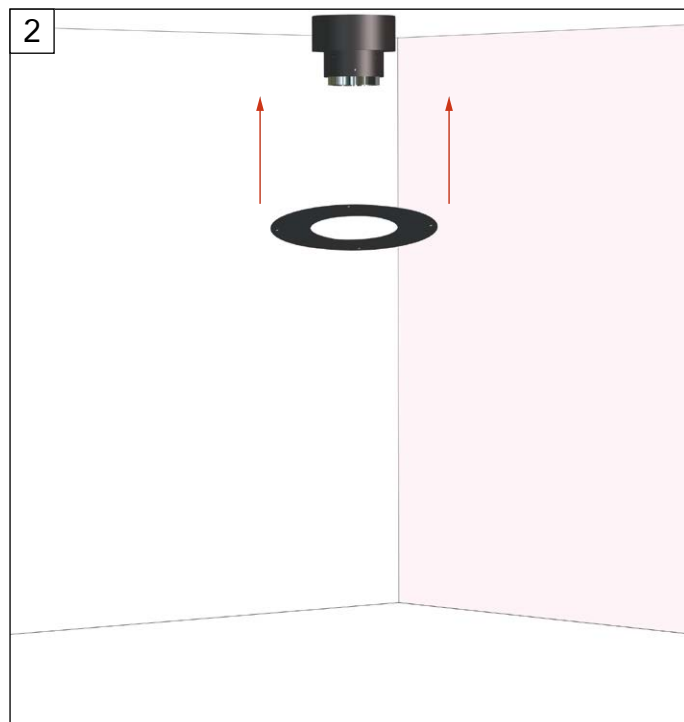
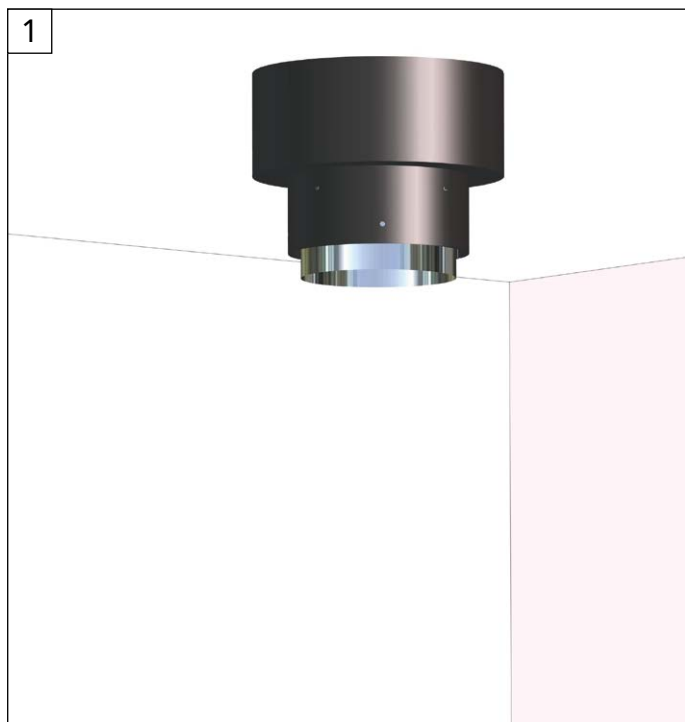
■ ASSEMBLY OF THE ADJUSTABLE SUSPENSION PLATE



Note : For more information, please refer to the appendix "Adjustable Suspension Plate".

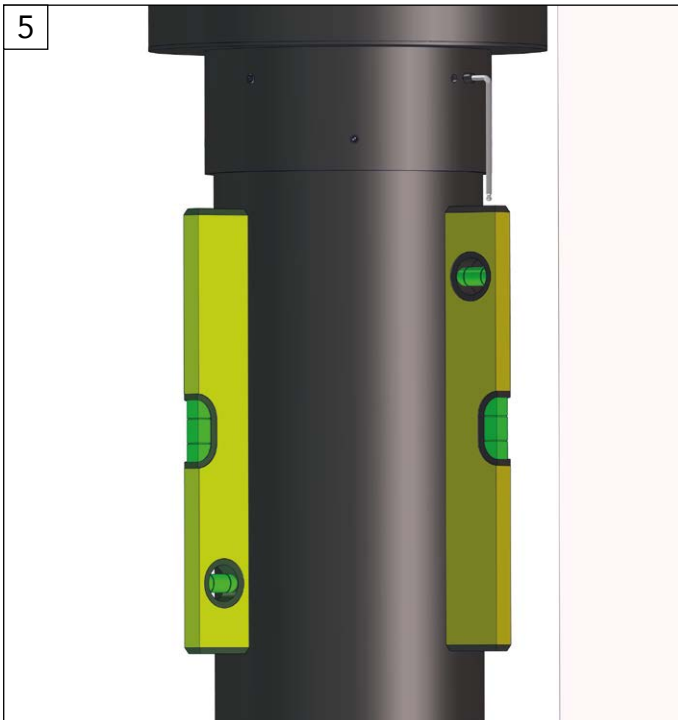
INSTALLATION

■ FIREPLACE INSTALLATION

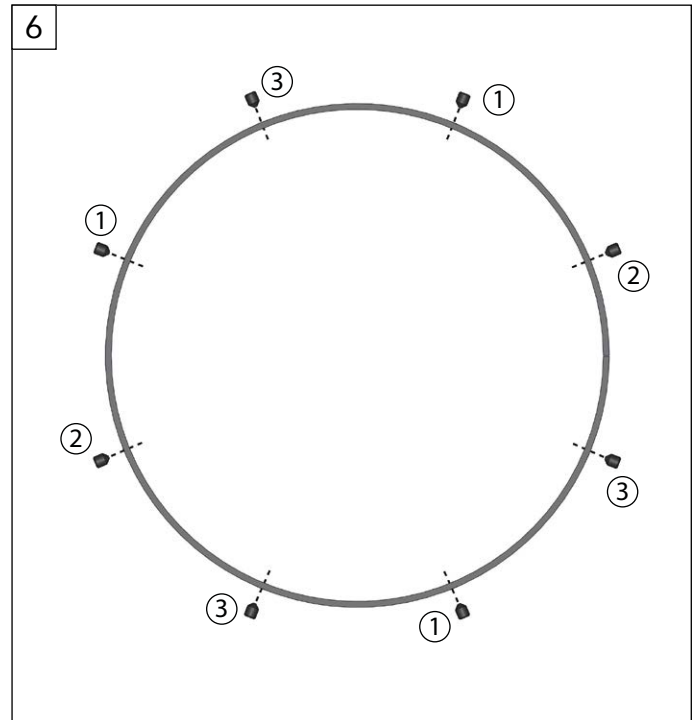


Put the 200 mm (8") Focus adapter to the end of the flue.

INSTALLATION

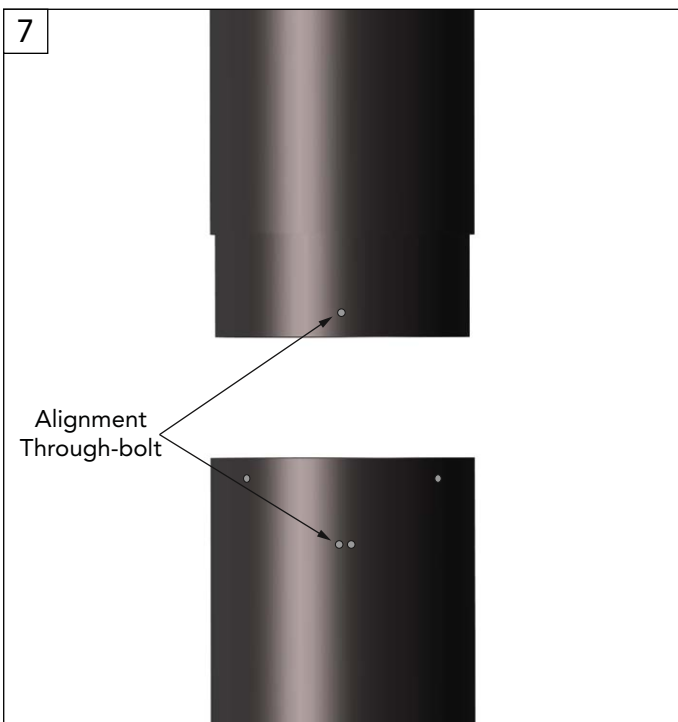


Level the flue.

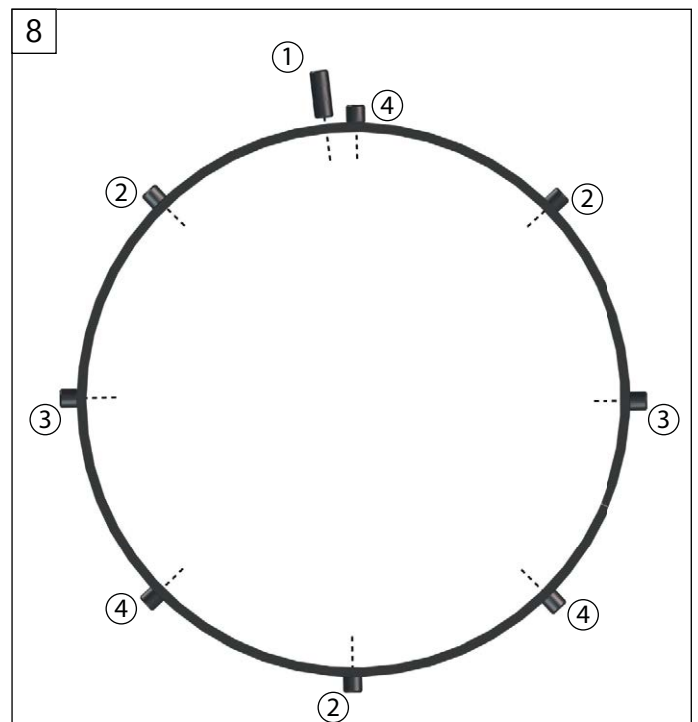


Tighten the pointed screws on the suspension plate.

Note : If your ceiling height does not exceed 2700 mm (9'), skip steps 7 and 8.

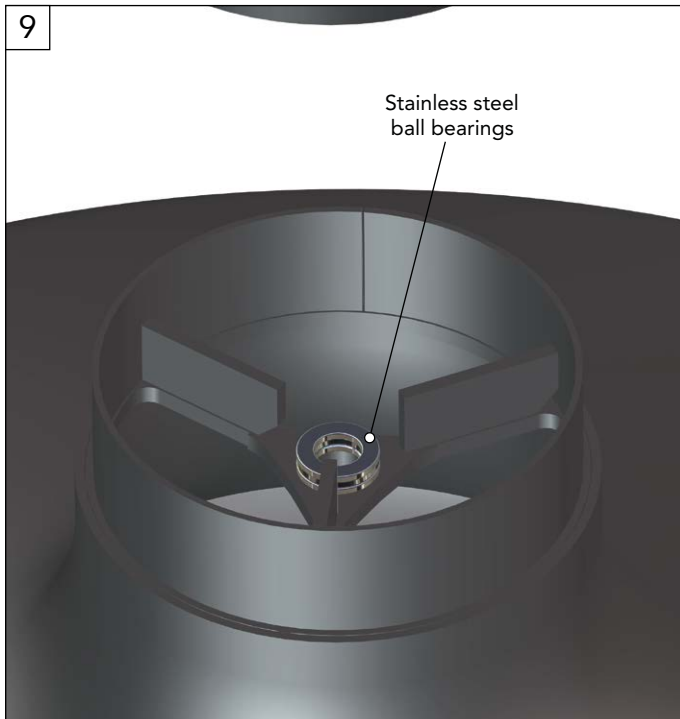


If you have multiple flue sections, connect them to the first section using flat screws and the through-bolt, following the tightening sequence provided.

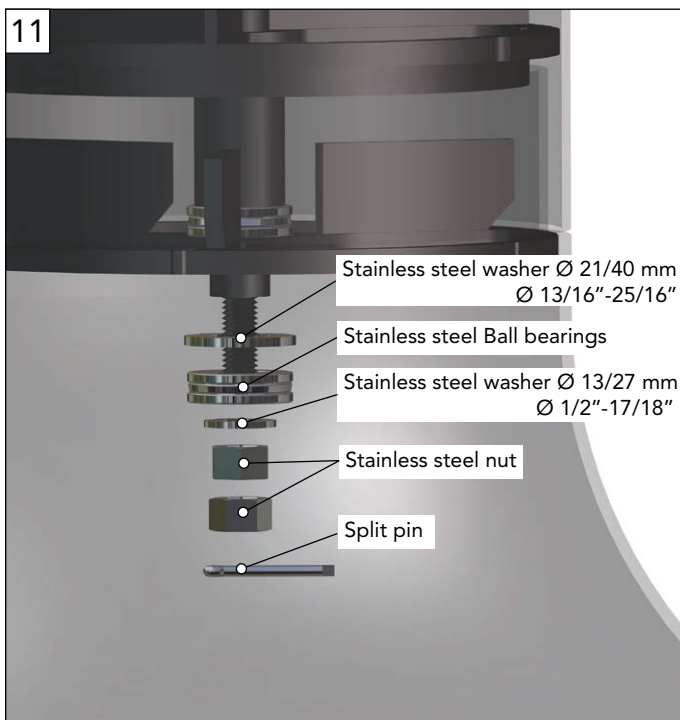
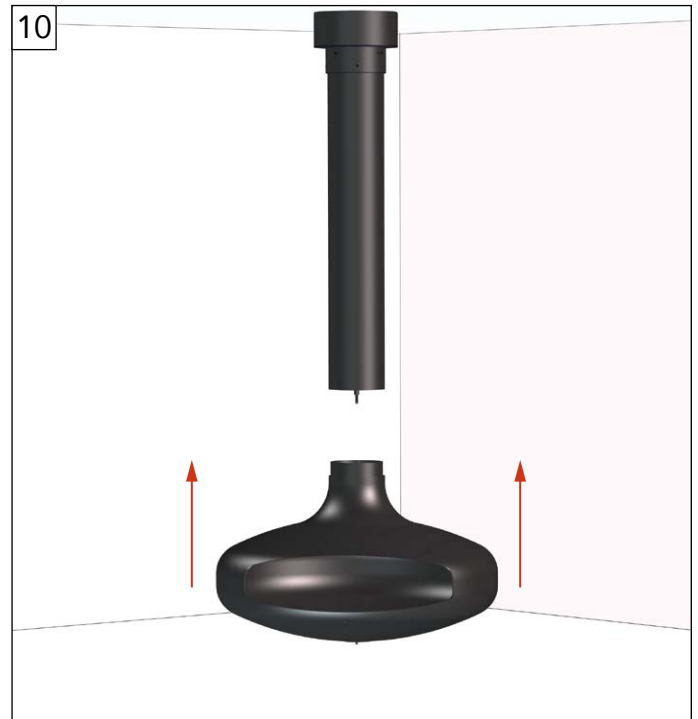


⚠ WARNING :
THE SCREWS ARE NOT FLUSH.

INSTALLATION



Position the fireplace under the flue and install the first bearing.



USE

WARNING :

DURING OPERATION, THE FIREPLACE EMITS HEAT. SURFACES CAN BECOME VERY HOT. KEEP CHILDREN, VULNERABLE INDIVIDUALS, CURTAINS, PETS, AND OTHER ITEMS AT A SAFE DISTANCE. ANY CONTACT MAY RESULT IN SEVERE BURNS.

■ **HANDLING FLAMMABLE PRODUCTS**

WARNING :

DO NOT USE CHEMICALS OR LIQUIDS TO LIGHT YOUR FIRE.

Do not use fuels such as lamp oil, various types of gasoline, kerosene, lighter fluid, or any other liquids to light or rekindle the fire. Ensure that these liquids are kept away from the fireplace.

■ **GRATE**

The cast iron grate is located inside the fireplace and should only be removed during cleaning, once the ashes have completely cooled.

■ **ASHES**

Ashes must be placed in a metal container with a tight-fitting lid. The closed container should be placed on a non-combustible surface, away from any flammable materials, until disposal. If the ashes are to be buried or dispersed, they must remain in the closed container until they are completely cooled.

■ **FUEL**

WARNING :

DO NOT BURN TRASH OR FLAMMABLE LIQUIDS SUCH AS GASOLINE, NAPHTHA, OR MOTOR OIL. DO NOT STORE FIREWOOD IN THE FIRE CLEARANCE ZONE AROUND THE FIREPLACE.

THIS FIREPLACE IS NOT DESIGNED TO BE USED WITH A DOOR. TO REDUCE THE RISK OF FIRE-RELATED INJURY, DO NOT INSTALL A DOOR ON THIS APPLIANCE.

Burn only natural, dry, log wood. The wood's moisture content should not exceed 20%. We recommend using dry wood that has been stored for 2 years. Use a covered shelter to store your wood.

USE

■ BEFORE YOUR FIRST FIRE

- Clean any dust accumulated during transport or installation using a damp sponge and/or a dry cloth.
- If you notice scratches on painted models, use only the Focus touch-up spray paint provided.
- The first fire should be light. Do not use packing materials or pallet wood as fuel.
- The paint we use is thermoplastic, baked at 250°C (482°F) for 30 minutes. Due to the gradual curing of the components, the fireplace may emit slight smoke during the first fires. Painted surfaces near the fire may temporarily become slightly sticky or tacky when hot.

In such cases, we recommend:

- Not to worry about any residual smoke or odors. This is normal during the first few fires and will quickly subside.
- Avoid touching, rubbing, or attempting to clean the fireplace while it is still hot. To prevent thermal shock, we strongly advise against pouring water on a vigorous fire to extinguish it.

■ LIGHTING AND MAINTAINING YOUR FIRE

WARNING :

DO NOT LIGHT A FIRE WITH THE ASH TRAP OPEN, AS THIS COULD CAUSE OVERHEATING OR A FIRE. DAMAGES CAUSED BY FAILURE TO COMPLY WITH THIS WARNING ARE NOT COVERED BY THE FOCUS WARRANTY.

DO NOT OVERLOAD YOUR FOCUS FIREPLACE TO PREVENT OVERHEATING.

To light the fire, we recommend using a small amount of fire starter along with sufficient kindling (small logs, branches, etc.) to create an initial light fire.

Once the light fire is burning steadily, add larger logs (between 3 and 7 depending on their size), ensuring not to smother the fire.

Leave some gaps between the logs to allow airflow.

To maintain or sustain your fire, add logs as necessary.

■ PROTECTIVE GLOVES

The use of the Focus protective gloves provided with our models is required when handling the fireplace.

MAINTENANCE

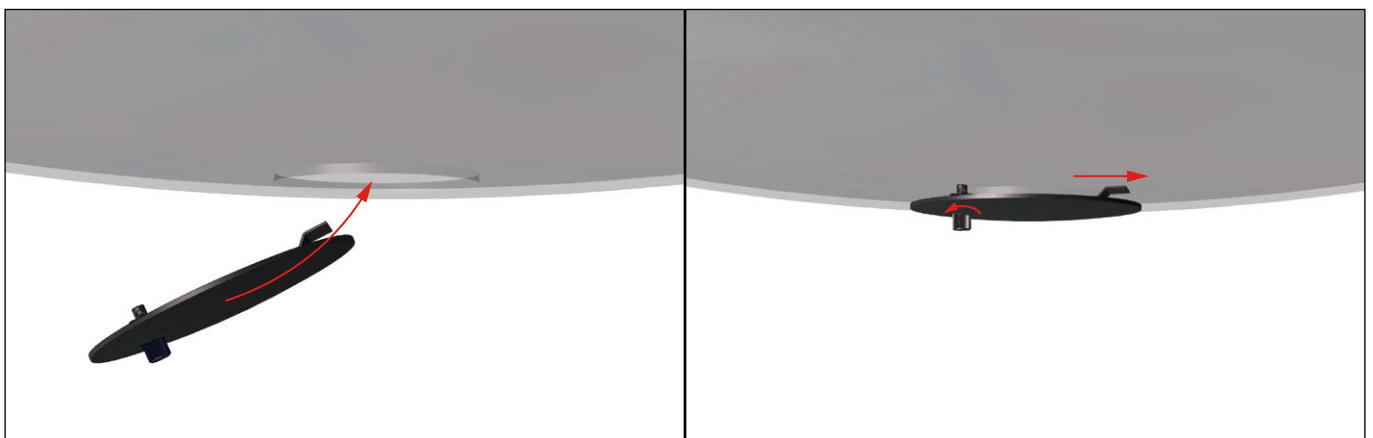
■ ASH REMOVAL

WARNING :

ENSURE THE FIRE IS EXTINGUISHED AND THE FIREPLACE SURFACES ARE COMPLETELY COOL BEFORE PROCEEDING WITH ASH REMOVAL.

The ash trap is located beneath the fireplace grate. Access it by crouching under the fireplace.

Open the trap by turning the handle. After removing the ashes, ensure the trap is properly closed again.



■ CREOSOTE FORMATION

When wood burns slowly, it produces tar and other organic vapors that combine with expelled moisture to form creosote. These creosote vapors condense in the relatively cool chimney of a slow-burning fire. As a result, creosote residues accumulate on the chimney walls. If ignited, this creosote produces an extremely hot fire.

Therefore, the chimney and chimney connector must be **inspected at least once every two months during the heating season** to determine if creosote has accumulated. If a significant layer of creosote (3 mm or more) has built up, it must be removed to reduce the risk of a chimney fire.

■ CHIMNEY SWEEPING

The Focus steel flue, stainless steel chimney, and single-wall connector must always be cleaned using a nylon brush. Never use a metal brush! Damage resulting from non-compliance with this instruction is not covered by the Focus warranty.

WARNING :

CHEMICAL CHIMNEY SWEEPING IS PROHIBITED. ONLY MECHANICAL SWEEPING IS ALLOWED.

MAINTENANCE

■ SURFACE CLEANING

The exterior surfaces can be cleaned with a soft, dry cloth or a damp sponge (ensuring the fireplace is cool).

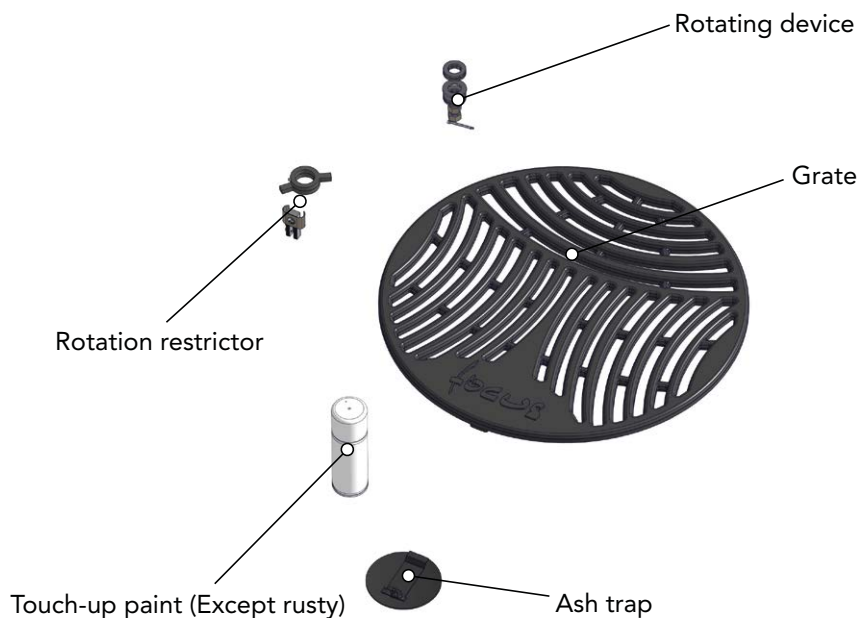


WARNING :

DO NOT SCRAPE THE PAINT OR THE RUSTY SURFACE.

■ SPARE PARTS

Note : In the event of a part replacement, use only parts recommended by Focus. Failure to comply with this note will automatically void the warranty.



To order these parts, contact :



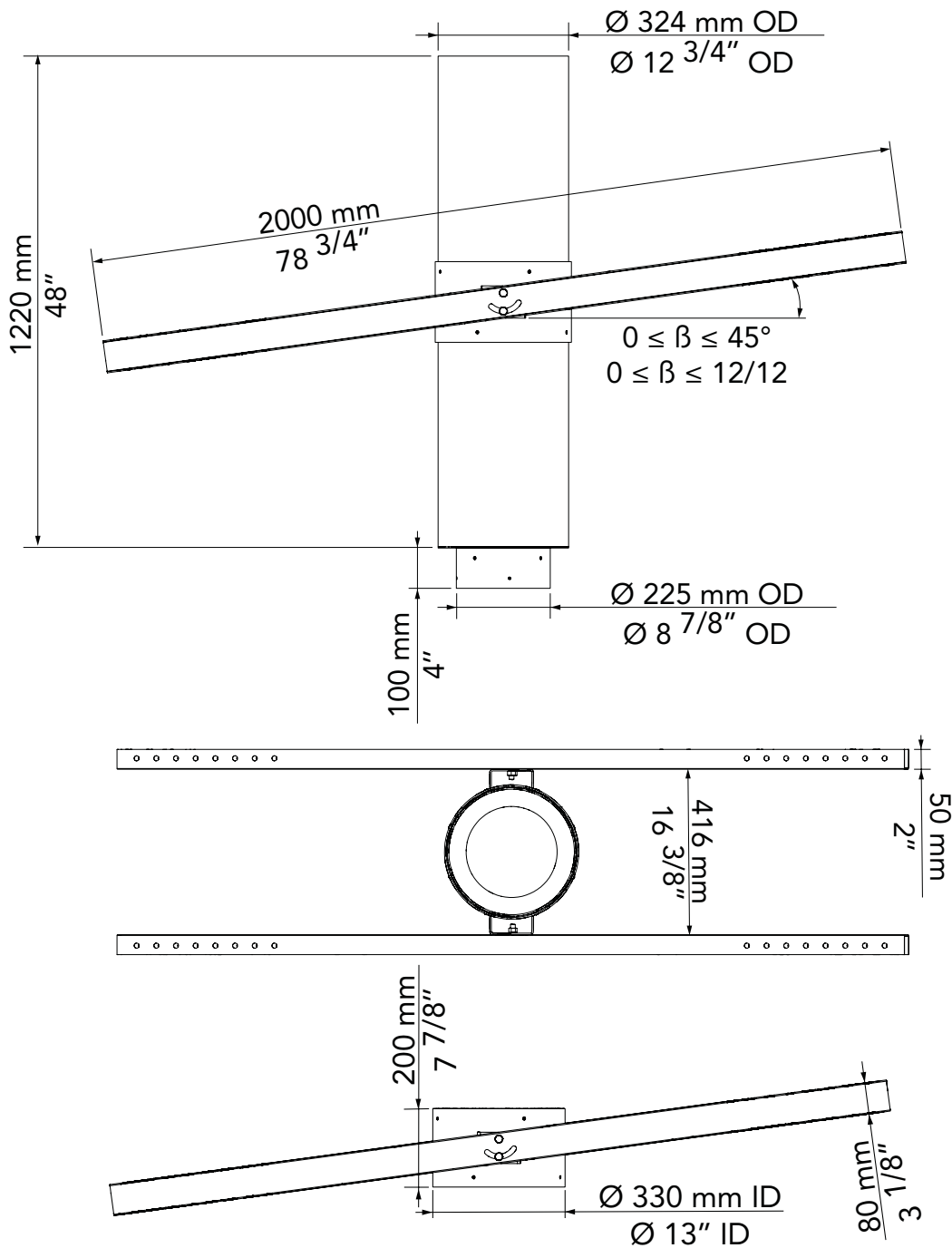
30 Log Bridge Road
Building 300 – Suite 303
Middleton, MA 01949
T: 781-324-8383
www.europeanhome.com

WARRANTY

All our Focus models are guaranteed against any defects in design, construction, and manufacturing, and are guaranteed to function properly for 5 years from the date of purchase. The warranty for our products is only applicable when our fireplaces have been installed in compliance with all local building regulations and with strict attention to the technical details described in our design plans, installation manuals, maintenance manuals, and user manuals. Our warranties exclude accidental damage, such as those occurring during transport without written notification upon receipt (reservations), damage caused during installation, and damage resulting from improper use. Exclusion of the warranty applies to the coating for appliances located less than 10 km from a saline environment.

APPENDIX

■ ADJUSTABLE SUSPENSION PLATE

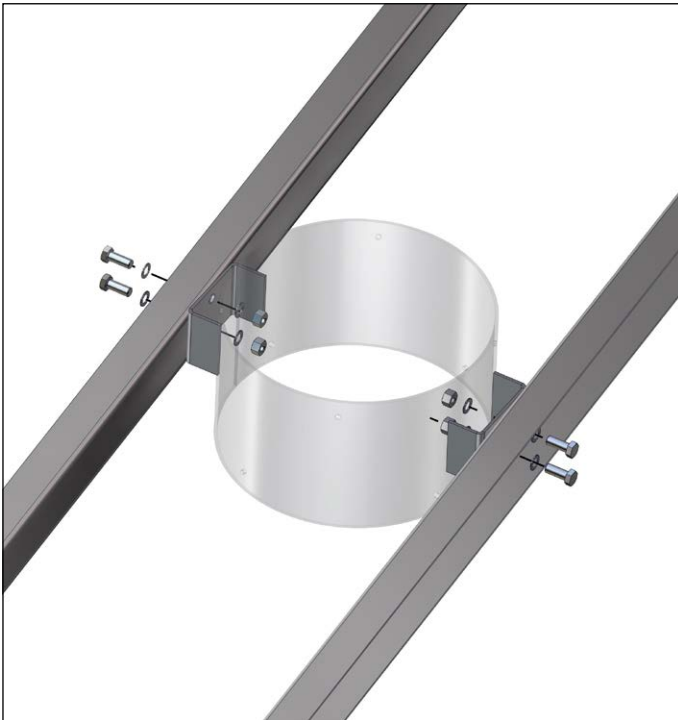


The components of the suspension plate are :

- 2 mounting bars (U-profile).
- 1 support collar (4 bolts, 4 nuts, 8 washers).
- 1 sleeve.
- 8 pointed screws (M8X10).

Note : Maintain a 50 mm (2") air gap around the connection to the flue pipe. The mounting bars can be adjusted on-site if needed. Ensure they are securely fixed to the structure to support the weight of the fireplace and the chimney.

APPENDIX



1. Assemble the Support Collar:

- Position the support collar between the mounting bars.
- Secure the bolts firmly using the provided nuts and washers.

2. Mount the Assembly:

- Attach the assembled unit to the ceiling or roof at the designated location.
- Ensure the attachment is firm and secure.

3. Insert the Sleeve:

- From below, place the sleeve into the support collar.
- Ensure the sleeve is inserted and positioned securely.

4. Adjust the Sleeve Length:

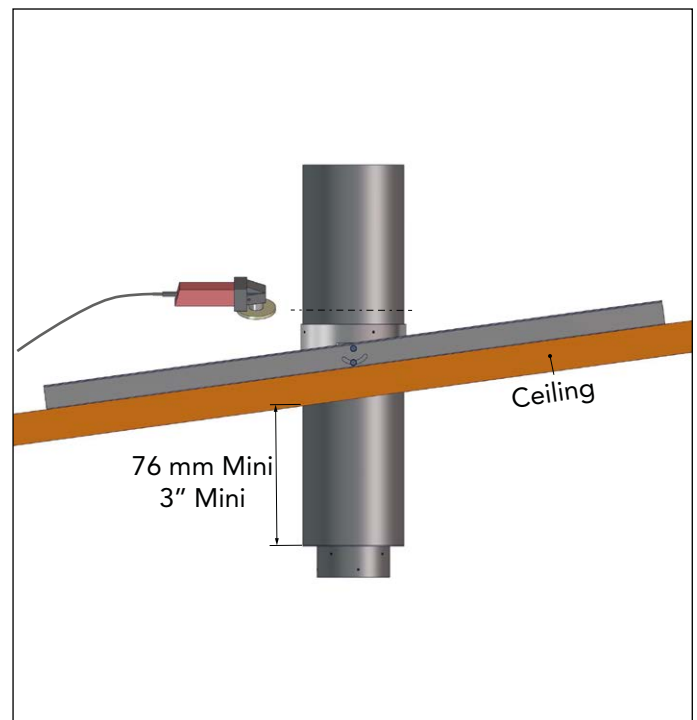
- Adjust the length of the sleeve to the desired size.
- Ensure that the widest part of the sleeve is positioned at a minimum of 76 mm (3") below the ceiling finish.

5. Mark and Prepare for Cutting:

- If the sleeve needs to be cut, mark it above the support collar using a pencil.
- Remove the sleeve from the support collar and apply tape around the pencil marks to use as a cutting guide.

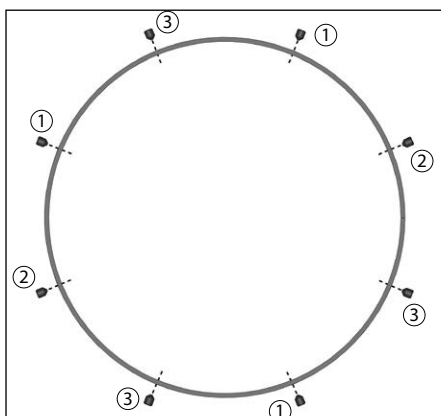
6. Cut the Sleeve with an Angle Grinder:

- Use an angle grinder to cut the sleeve along the taped guide.



7. Reinstall the Sleeve in the Support Collar:

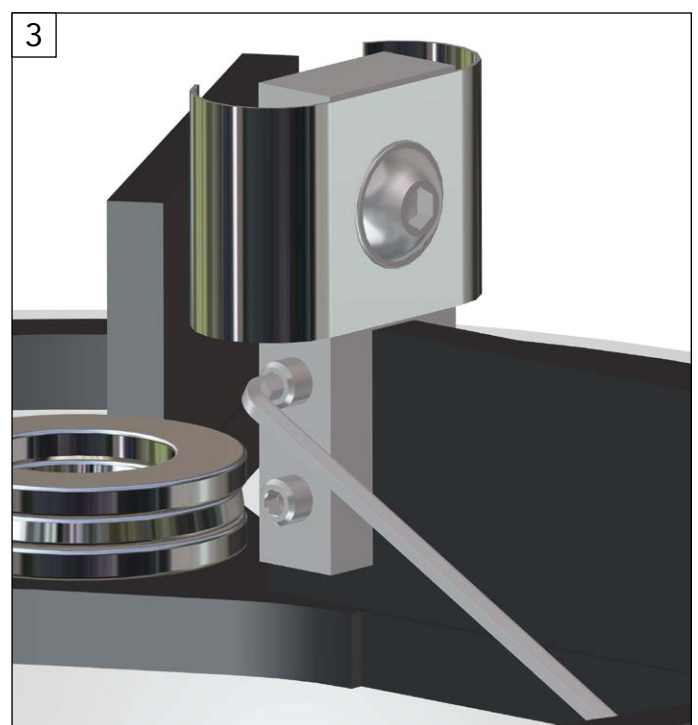
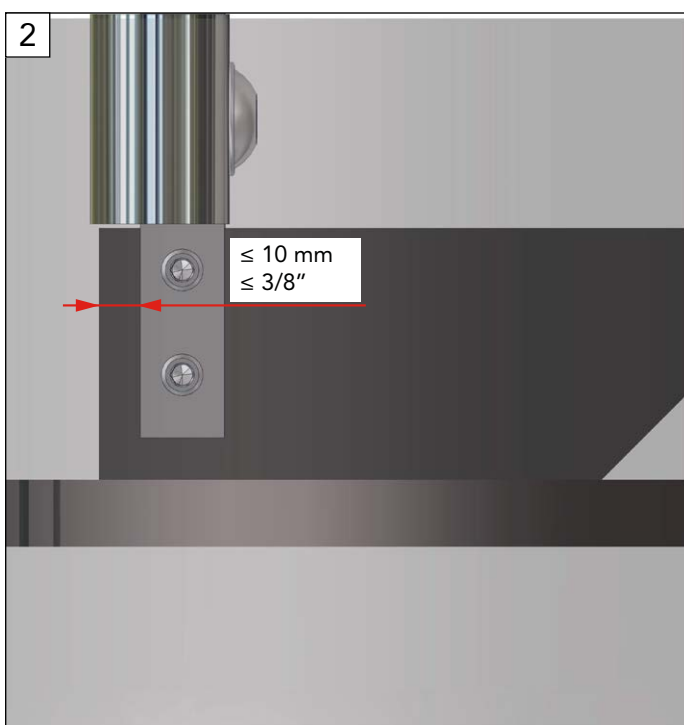
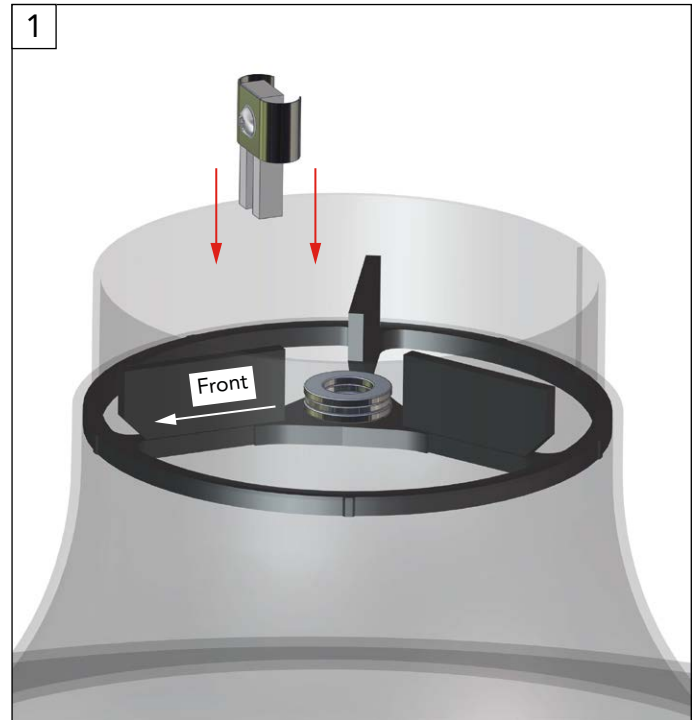
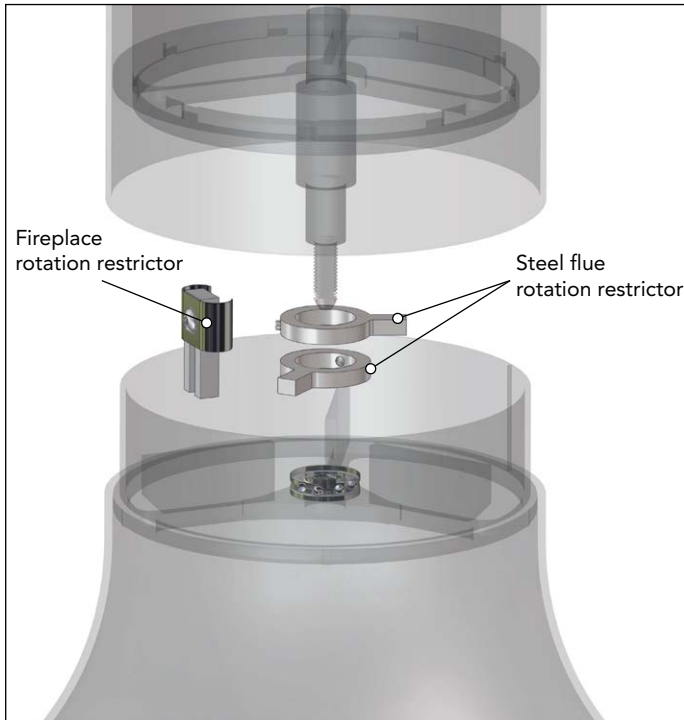
- Place the sleeve back into the support collar.
- Using a level, confirm proper alignment and securely tighten the set screws according to the diagram.



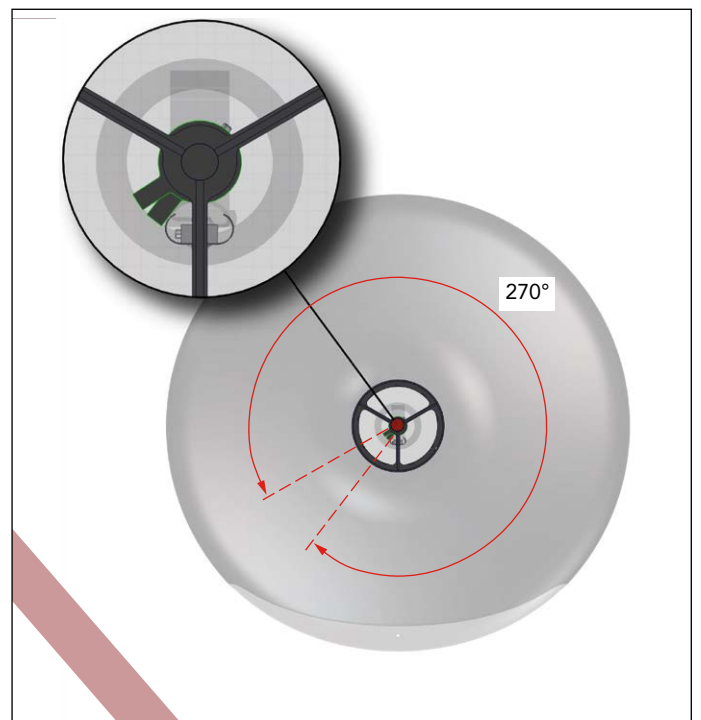
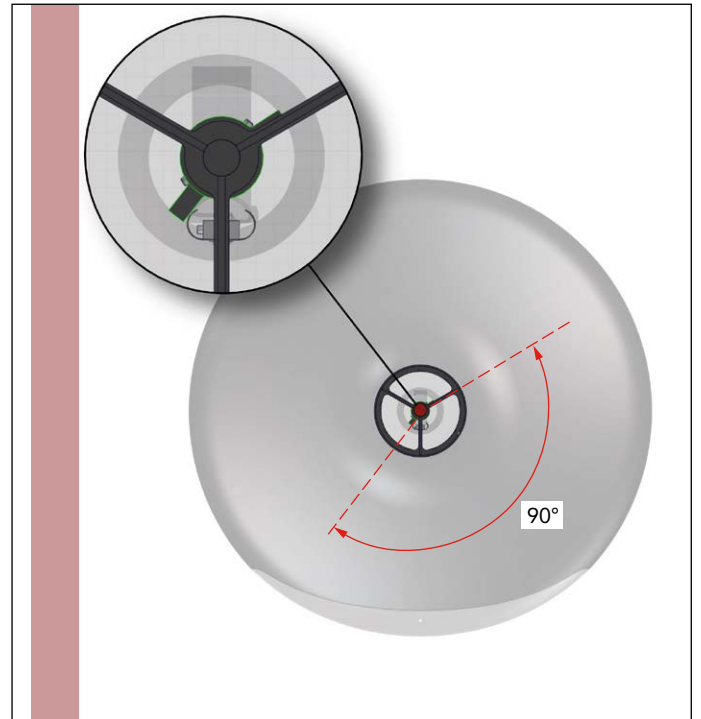
⚠ WARNING :
THE SCREWS ARE NOT FLUSH.

APPENDIX

■ ROTATION RESTRICTOR



APPENDIX





CREATE BEYOND CONVENTION

Focus – Atelier Dominique Imbert
3 impasse Claque Patin, Viols le fort, France
www.focus-creation.com
info@focus-creation.com